

FLY TIMES



APRIL, 1990 - No. 4

This past winter season has seen some exciting advances in the Dipterology scene: the national meetings of the Entomological Society of America had an entire evening devoted to an informal conference on the Diptera; the catalog of the Diptera of the Australasian and Oceanian Regions saw print; a translation of the "Keys to the insects of the European Part of the USSR" is now available; and much, much more - catch all the details in this issue of the Fly Times!!

Again, we encourage you to submit news of your work, reports on collecting trips, spots of special interest, or techniques you find valuable, comments on meetings past and future, book reports, job opportunities and, should the spirit move you, items of humour.

We included a Directory of North American Dipterists with the last issue of the Fly Times, which incorporated addresses and a brief synopsis of each Dipterists interests. We are planning to include an updated version of that directory with the next issue in October. As such we would ask that all of you who have not yet done so, to send a brief description of your interests on the form at the end of this newsletter. In addition, if any of you want to make changes to your entry, write and let us know.

All contributions to the next issue of this newsletter should continue to be sent to the following address. Deadline for the next issue is September 30, 1990.

Dr. Art Borkent,
2330 - 70th St. SE,
Salmon Arm, British Columbia,
V1E 4M3, Canada.

NEWS

The Second International Congress of Dipterology

A reminder that this meeting will be held in Bratislava, Czechoslovakia on Aug. 27 - Sept. 1, 1990. See issue 3 of the Fly Times for further details.

The Annual Biting Fly Workshop - June 11-14, 1990

The annual Biting Fly Workshop will be held on June 11-14, 1990, in Salter Path on the coast of North Carolina. The meeting is jointly sponsored by the Department of Entomology at North Carolina State University and the Public Health Pest Management Section of the Department of Environment, Health and Natural Resources. We will be meeting and staying at the Trinity Conference Center. The Center offers pleasant surroundings and economical accommodations. All meals and lodging are included in one price. At least 16 double occupancy rooms will be available. Each room has two single beds and a private bath. We will use a large conference room for our meeting and to sort and identify specimens. Hotel accommodations are also available in nearby Atlantic Beach. The closest airport is in New Bern which is located about 1.5 hours from Salter Path. Transportation to and from the airport can be arranged.

Plan on arriving during the afternoon or evening of June 11. For persons staying at the Conference Center, three meals a day will be served starting with breakfast on June 12 and ending with breakfast on June 14. Bag lunches will be provided for the days that collection trips are scheduled.

The program has not been finalized, but it will most likely include presentations on repellents and local research and state reports as well as collection trips and identification workshops. Dry ice and some Malaise, Manitoba and CDC light traps will be available for use. Other field activities being contemplated include the evaluation of permethrin barrier sprays for management of Chrysops spp. and the testing of some attractants. Bring your favorite microscope along if you can, since only a few scopes will be on hand. Both inland and coastal biting fly habitats are available within a short drive of the Center. There is no question that Ceratopogonids and Tabanids will be out this time of year!

The total cost of the meeting is \$137, which includes three nights lodging and three meals a day (good deal!). For further information contact Dr. C.S. Apperson, Dept. of Entomology, Box 7613, North Carolina State University, Raleigh, NC, 27695-7613.

Rebellion in the Ranks

There have been some recent, rude suggestions, from someone who will remain anonymous, that our newsletter be renamed. Since it is our editorial policy to reproduce virtually every contribution, we list the following proposed titles:

Fly Paper
Time Flies
The Open Fly (as the title for an editorial)

After a very brief consultation, the editors decided that these proposals will be summarily rejected!

First International Symposium on Tipulomorpha - Sept. 16-20, 1991

Tipulomorpha, one of the most primitive Dipteran groups, play a special role in the considerations on the evolution of the whole order. However, the phylogenetic relationships within the group are still unclear in what is expressed in the existence of two taxonomic systems: that of Hennig (1973) and that of the Manual of Nearctic Diptera (1981).

We hope that during our meeting some essential questions will be solved (as: the importance of larval characters, or wing venation characters, or the role of recent versus fossil materials ...).

We do not hope to find and accept one universal taxonomic system. But the discussion can be interesting.

All the materials will be published, as well as the conclusions of the discussion. (submitted by W. Krzeminski).

This meeting will be held on Sept. 16-20, 1991 at the Institute of Animal Systematics and Evolution, Polish Academy of Sciences at Krakow, Poland. If interested in attending and/or in receiving the second circular (which provides info on costs and accommodation), write to:

Ewa and Wieslaw Krzeminski,
Institute of Animal Systematics and Evolution,
Polish Academy of Sciences,
ul. Slawkowska 17, 31-016 Krakow, Poland.
Phone: Office - 22-19-01; Home - 55-27-41.

redacted Far Side, 5/2/1988

redacted Far Side, date unknown

Entomological Society of America Meetings - San Antonio, Dec. 1989

Aside from the wonderful opportunities to meet with colleagues to discuss the ins and outs of our various specialties, these meetings included an informal conference on Diptera Systematics organized by Brian Brown (Edmonton). Approximately 60 people attended the evening conference. The talks, which were listed in the last issue of the Fly Times, were a delightful series of presentations. Most provided new and exciting hypotheses of the phylogenetic relationships within the groups under discussion and indicated which future investigations would be most profitable. A central theme which arose from the talks was that paraphyly is a common feature of previous classifications and that careful morphological investigations provide fresh insights into an understanding of phylogenetic relationships.

Aside from the conference on Diptera Systematics, there were a number of other talks throughout the meetings dealing with various aspects of the Diptera, including systematics, physiology, morphology, pest control, ecology, behaviour and medical-veterinary studies.

Another highlight of the meetings was the presentation of the Thomas Say Award to Frank McAlpine on behalf of his and other's contribution to the three volume Manual of Nearctic Diptera. All of us who are even remotely interested in the identification of North American Diptera recognize the tremendous value of this important work.

From Jon Gelhaus - notice of acquired position

I have assumed the position of Assistant Curator in the Dept. of Entomology, Academy of Natural Sciences of Philadelphia, as of January 15, 1990. My research will continue to be centered on the systematics of Tipulidae s.l., particularly the genus Tipula. As the Tipulidae collection presently at the Academy is small, I am most interested in building up a representative, worldwide research collection (any help from others will be much appreciated) as well as adding to the Academy's general Diptera collection. For those familiar with the Diptera collection at the Academy, I would appreciate any comments or suggestions you may have for future development. Any requests for loans or other information can be directed to Don Azuma (Collection Manager), or myself.

Description of Unfamiliar Journal by John Epler

SPIXIANA is the official journal of the Zoologische Staatssammlung in Munich, West Germany, a world center for chironomid research. Many important papers dealing with Chironomidae have appeared in SPIXIANA and Supplements in the last several years. The majority of chironomid papers in SPIXIANA are published in English. However, because SPIXIANA is not subscribed to by many libraries, and it is not abstracted in *Current Contents*, many North American workers are not aware of or have not been able to obtain copies of these important papers. In addition, one had to deal with foreign exchange rates.

I will be acting as an agent for the distribution of selected SPIXIANA Supplements in the United States. Requests *must* be accompanied by payment in full in U.S. \$, preferably by money order, certified check, etc. Personal checks are OK, but will necessitate a delay until cleared. (Make checks payable to Dr. J.H. Epler.) Prices include surface mail charges and handling.

The following SPIXIANA Supplements will be available (I have also listed some of the authors and genera covered that will be of interest to North American workers. There are additional papers in each Supplement):

Supplement 11 (215 pages; 1985) - Beiträge zur Systematik der Chironomidae, Diptera (Contributions to the systematics of Chironomidae). Includes:
 Ashe - *Buchonomyia*
 Fittkau & Murray - *Radotanypus*
 Murray & Fittkau - *Hayesomyia*
 Reiss - *Skutzia*
 Reiss & Sublette - *Beardius*
 Saether - *Compteromesa*, *Diplosmittia*, *Mesosmittia*, *Odontomesa*, *Prodiamesa*, *Rheocricotopus* (larval key), *Trichochilus*

PRICE : \$25.00

Supplement 14 (259 pages; 1988) - Festschrift zu Ehren von Lars Brundin (Special issue honoring Lars Brundin). Includes:
 Cranston & Oliver - Aquatic xylophagous Orthoclaudiinae
 Epler - *Apedilum* (larval key)
 Fittkau & Murray - *Bethbilbeckia*
 Reiss - *Kloosia*
 Roback & Rutter - *Denopelopia*
 Saether & Schnell - *Rheocricotopus*
 Schnell & Saether - *Vivacricotopus*

PRICE : \$35.00

See a lot of names you don't recognize? Bear in mind that much of the updating of the Holarctic chironomid keys published by Ent. scand. is being done through SPIXIANA! Send your money today to:

Dr. J.H. Epler
 Entomology
 Florida A & M University
 Tallahassee, FL 32307

Mounting technique by Brian Brown

Using Peldri II as an alternative to critical point drying for small flies.

Recently, I experimented with Peldri II, a patented fluorocarbon, to prepare phorid flies preserved in alcohol. Specimens removed from alcohol and air-dried inevitably shrivel and become brittle. Using ethyl acetate extraction (Vockeroth 1966) or freeze-drying produces good looking specimens which are however still brittle and difficult or risky to dissect. Critical point drying (CPD) has been the method of choice for small flies (Marshall 1982), as it produces unshrivelled and flexible specimens, but is a time consuming and tedious procedure. Additionally, a CPD chamber is needed, or an even more expensive CPD machine. For occasional users, this investment of time and money is unacceptable, and Peldri II offers a good alternative. A recent paper (Kennedy *et al.* 1989) outlines the use of this material, and shows comparisons of tissue specimens, blood cells and the flagellate protozoan *Euglena* prepared with CPD and Peldri II. These comparisons convincingly show no significant difference between the results of the two procedures, so I ordered some to give it a try. The result of my trials, which consisted of drying 12 vials of phorids containing from four to about 200 specimens, also showed no significant differences, including the retention of flexibility in specimens.

The procedure is simple: first the Peldri II has to be melted on a slide warmer set to 38°C, as this substance is a solid below 24°C. I just put the whole bottle in a large beaker partially filled with warm water, on the slide warmer, in a fume hood (the vapors of Peldri II are supposed to be nasty). The specimens are dehydrated to 100% ethanol, then they are soaked in half Peldri/ half 100% ethanol for one hour (I do this in the original vials, with lids left on, placed on the slide warmer). After this soak, they are soaked in pure Peldri II for one hour. I change the Peldri after half the time has expired, to make sure all of the alcohol is removed. When the hour is almost over, I fill a petri dish with ice, and cover it with a petri lid, producing a cold plate. The specimens are then poured into shallow watch-glasses placed on the cold plate, and the Peldri quickly solidifies. After the Peldri has solidified, I pour a little more on to completely cover all of the flies, as some specimens float. The material can then be left to sublime overnight, or (as I do) can be placed in a low vacuum dessicator for about three hours. To keep the dessicator cool in the rather hot basement lab I use, I put it in a tub of ice. The Peldri sublimates, leaving the specimens dry and unshrivelled. Complete instructions are furnished by the company that sells this material.

The advantages of this technique over CPD are that little attention need be paid to the samples (just a couple of solution changes), and that expensive equipment is unnecessary. The total time necessary to dry samples is longer than that needed for CPD, but Peldri requires much less attention. I highly recommend this material for preparing small flies.

Peldri II available from Pelco International, P.O. Box 2318, Redding, California, 96099, USA.

Prices: 125g \$32.50
 250g \$58.50

Literature cited

Kennedy, J.R., Williams, R.W. and J.P. Gray. 1989. Use of Peldri II (a fluorocarbon solid at room temperature) as an alternative to critical point drying for biological tissues. *Journal of Electron Microscopy Technique*. 11: 117-125.

Marshall, S.A. 1982. Techniques for collecting and handling small Diptera. *Proceedings of the Entomological Society of Ontario*. 113: 73-74.

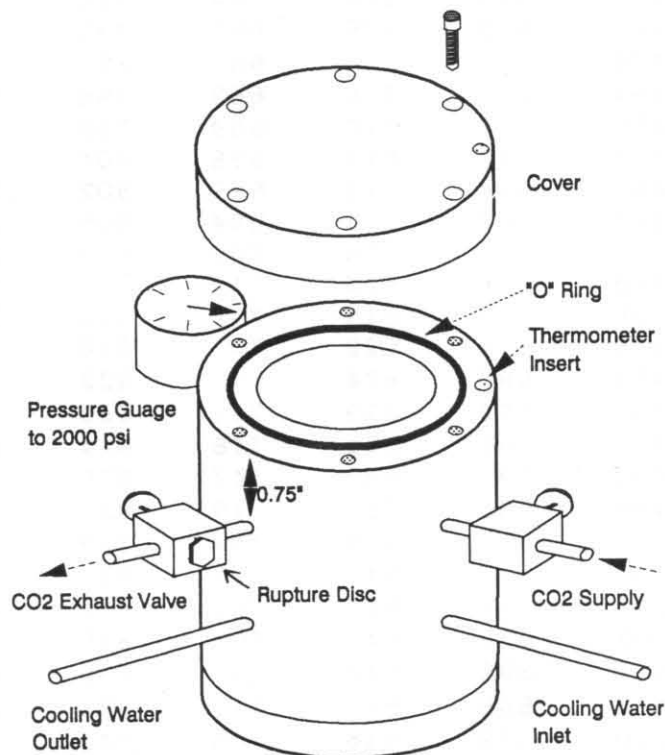
Vockeroth, J.R. 1966. A method of mounting insects from alcohol. *Canadian Entomologist*. 98: 69-70.

The Guelph Critical Point Drier - by Steve Marshall

I have had so many requests for the design of the Guelph critical point drier that I have decided to make it available to readers of Fly Times. Our machine was designed and constructed by Mr. Casey Gielen of the University of Guelph Physics workshop in the late 1970s, and it has functioned well ever since. It is not quite as foolproof as the ultra expensive automatic, commercially available CPD's, but it is easy to use. The operating procedure is as follows:

Place your flies in porous containers (make from brass screening and plastic tubing). Dehydrate into 100% ethanol. Make sure all CPD valves are closed and run cold water to get bomb temperature below 18-20 degrees C (water remains on throughout procedure). Put specimens in CPD, in 100% ethanol, put lid on, screw lid down. Open main tank valve. Open 2nd tank valve. Open bomb intake valve completely. Open bomb exhaust valve slightly to flush out bomb (1 minute purge). Close exhaust valve and soak for 5 minutes. Purge for 3 minutes, soak for 3 minutes then repeat purge/soak cycle 3 or 4 more times. Close all valves in reverse sequence to opening. Start hot water running through bomb. Ensure that pressure does not exceed 1350 PSI or drop below 1000 PSI (it may be necessary to open exhaust valve slightly). When temperature reaches 40-45 degrees C, close exhaust valve and let sit for 5-10 minutes. Vent slowly to atmospheric pressure.

Our machine is 4" high and 3.5" in diameter, with a specimen chamber 1.5" deep and 1.5" wide. The cover is 1/2 brass and the bottom 1/4" brass, silver soldered. Martek Research, 2 McCartney Rd., Guelph, Ontario N1K 1M7 (phone 837-0600, area code 519) will make one for you for about 700\$.



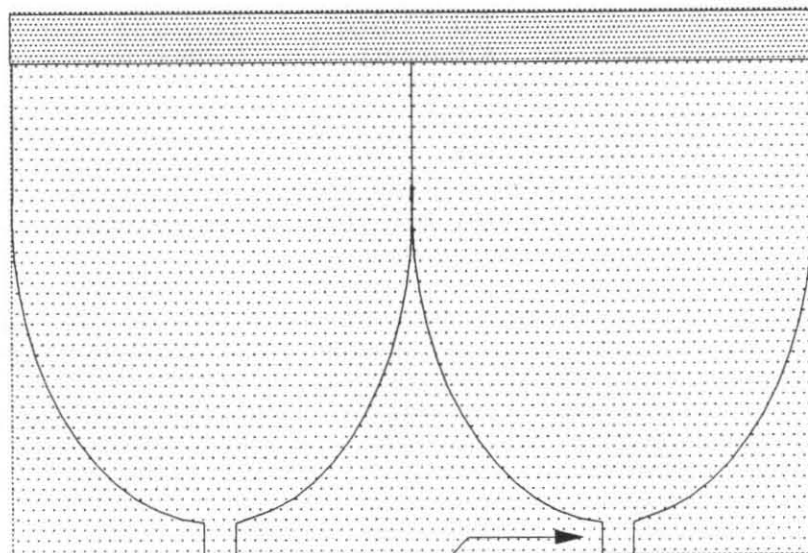
Critical-Point Drier
University of Guelph

A Convenient Net Bag / Killing Bottle Combination - by Steve Marshall

For several years I have been using Nalgene centrifuge tubes as killing bottles. They are unbreakable, non-reactive, and exactly the right size - small enough to slip in your pocket but large enough to house almost any fly short of a Pantophthalmid. I prefer to use cyanide, but the same type of bottle could be used with other killing agents. Just prior to a recent trip to Brazil, I hit upon the idea of making net bags with a custom tip exactly the dimensions of my Nalgene bottles to make it easier to transfer specimens from net to bottle. The combination worked very well, not only for the rapid transfer of single specimens to cyanide, but also for the rapid collection of total sweep samples. Debris-free sweep samples accumulated in the tip-pocket, then insertion of the bottle into the pocket completed the collection. Sweep samples cluttered with litter (leaves, etc.) were handled by holding the net closed near the ring, shaking the litter down onto the closed section, then holding the tip towards the light. Most flies then accumulated in the tip and stayed there while the litter was dumped, allowing for the collection of a clean "total sweep" sample without the use of the awkward, bristle-bashing screen favoured by hymenopterists. Never again will I use a net bag without a "tip-pocket", and never again will I aspirate from a net.

At the suggestion of Monty Wood, the material I am now using in my nets is a very transparent black rather than the traditional white. Mountain Equipment stores (Toronto and Vancouver) sells a tent fly material (fine mesh grey nylon) which is excellent for this purpose.

Pattern for insect net bag-
canvas sleeve



4.8 cm wide x 6 cm deep

Books and Publications

- Epler, J.H. 1988. Biosystematics of the genus Dicrotendipes Kieffer, 1913 (Diptera: Chironomidae: Chironominae) of the World. Mem. Am. Ent. Soc. 36:1-214. Available from the American Entomological Society, 1900 Race Street, Philadelphia, PA 19103, USA. Price \$25.
- Catalogue of Palaearctic Diptera. Volume 6. Therevidae - Empididae. 1989. Ed. A. Soós and L. Papp. 436 pp. Elsevier Science Publ., Amsterdam, Oxford, New York, Tokyo. \$208.00 US.
- This most recent and welcome addition to our understanding of the Palaearctic fauna includes treatment of the following families:
Therevidae, Scenopinidae, Bombyliidae, Atelestidae, Microphoridae, Hybotidae, Empididae. All taxa described before December 31, 1982 are listed and like the previous volumes, a complete bibliography and index is included.
- If you'd like to get a copy write to Elsevier Science Publishing Co., Inc., P.O. Box 1663, Grand Central Station, New York, New York, 10163, USA.
- Sabrosky, C.W., G.F. Bennett, and T.L. Whitworth. 1989. Bird Blow Flies (Protocalliphora) in North America (Diptera Calliphoridae) with notes on the Palearctic Species. Smithsonian Institution Press, Dept. 900 Blue Ridge Summit, PA, 17294-0900. \$16.95 plus \$2.25 handling.
- Laird, M. 1988. The Natural History of Larval Mosquito Habitats. xxvii + 555 pp. Academic Press. \$135.00
- Gagné, R.J. 1989. The Plant-feeding gall midges of North America. xi + 356 pp. Cornell University Press. \$45.00.
- Melzer, R.R. and H.F. Paulus. 1988. Evolutionswege zum Larvalauge der Insekten- Die Stemmata der Hoheren Dipteren und ihre Abwandlung zum Bolwig-Organ. [Evolutionary pathways to the larval eyes of insects. Higher Dipteran stemmata and the evolutionary development of Bolwig's organ]. Zeitschrift für zoologische Systematik und Evolutionsforschung 27:200-245.
- Author's address: Institute für Biologie I (Zoologie) der Albert-Ludwigs-Universität, Albertstr. 21a, D-7800 Freiberg i. Brsg., Federal Republic of Germany.
- This paper is important for those interested in the classification of groups within the order Diptera. The authors demonstrate several interesting character states and map them on a cladogram for the entire order. The paper is in German, but there is an extensive English summary. (submitted by Brian Brown).
- Keys to the Insects of the European part of the USSR. V. (English Translation, 1988). Ed. G.Y. Bei-Bienko., Two volumes: Part One xxii + 1233 pp.; Part Two xxii + 1505 pp.
- This two volume work is an english translation of the 1969 work originally published in Russian and covers both the Diptera and Siphonaptera. Each chapter gives a short introduction to the family, followed by an illustrated key to the species.

Part One provides an introduction to the Diptera (including morphology, general lifestyle, overall classification and collecting methods), a key to the families and covers each family of Nematocera, Orthorrhaphous Brachycera plus Lonchopteridae and Phoridae. Part Two covers the remainder of the Diptera and the Siphonaptera. An index to all Latin names used in both volumes is given at the end of Part Two.

Copies of this important work, are available from the following address: National Technical Information Service, Springfield, Virginia, 22161, USA.

Catalog of the Diptera of the Australasian and Oceanian Regions. Neal L. Evenhuis, editor. 1155 p. (1989). Bishop Museum Press, Honolulu & E.J. Brill, Netherlands. ISBN 0-93087-37-4 (Bishop Museum Press); ISBN 90-04-08668-4 (Brill). US\$100.00.

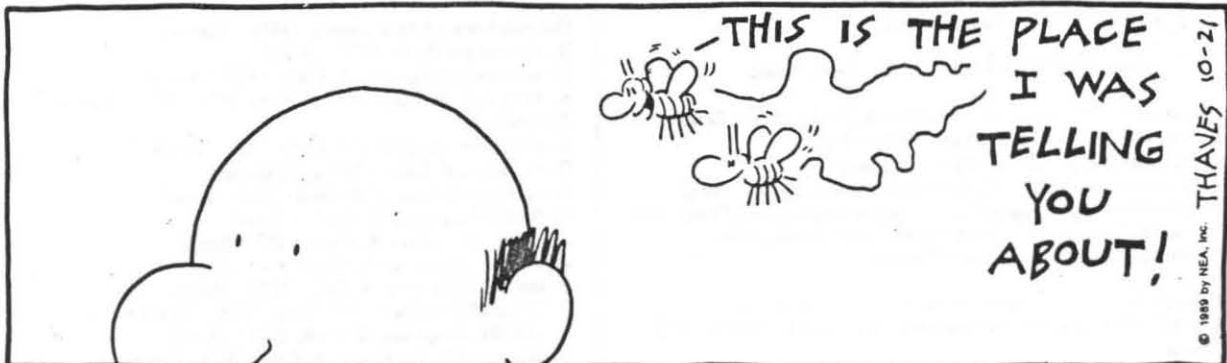
This catalog covers all the described flies occurring on emergent land east of Weber's Line in the Pacific including eastern Indonesia, Australia, New Guinea, New Zealand, New Caledonia, and the Oceanic islands north to Hawaii, east to Easter Island, and northwest to the Bonin and Volcano islands. Appendices cover the subantarctic and antarctic areas, and fossil Diptera from the Australasian and Oceanian regions. Almost 16,000 species of flies are recorded with original author, date, and page of original description along with type locality and distributional data. A corresponding bibliography to the literature cited in the catalog contains approximately 4,300 citations and includes ancillary publication and dating information.

Over 50 specialists worldwide contributed to the 116 families of Diptera recorded in this catalog. This work marks the completion of the regional cataloging of the Diptera worldwide (with the Palearctic and Neotropical catalogs nearing completion) and is an essential reference for workers of Diptera in these regions.

Orders may be placed with Bishop Museum Press, P.O. Box 19000-A, Honolulu, HI 96817-0916; European colleagues should order from E.J. Brill, P.O. Box 9000, 2300 PA Leiden, Netherlands.

FRANK AND ERNEST

Bob Thaves



Reproduced with permission, Sara Thaves, 10/1/2018

Update of World Catalogue of the Phoridae (Borgmeier 1968), plus supplement (Borgmeier 1971)

B.V. Brown, Department of Entomology, University of Alberta, Edmonton, AB, Canada, T6G 2E3.

This update summarizes the taxonomic literature on Phoridae since the time of Borgmeier's catalogue and supplement. Although I have tried to make it complete, there are without doubt omissions and errors; please feel free to let me know if any are found. I would like to thank Drs. Henry Disney and Jeff Barnes for pointing out some problems in an earlier version of this list.

Abaristophora sachalinensis Michailovskaja 1988 - USSR

Alamira peckorum Disney & Peterson 1983 - South Africa

Allochaeta senex Borgmeier & Prado 1975 - Brazil

Apocephalus feeneri Disney 1982e - USA

A. laceyi Disney 1981d - Brazil

A. llmai Prado 1976 - Brazil

A. normentii Prado 1976 - Argentina

A. wallerae Disney 1980c - USA

Apterophora alvarengai Prado 1976 - Brazil

A. borgmeieri Prado 1976 - Brazil, Panama

A. intermedia Prado 1976 - Ecuador, Paraguay

Aristocerina gracilipalpis Borgmeier & Prado 1975 - Brazil

Assmutherium Schmitz transferred to subfamily Thaumatoxeninae

Auxanommata boreotis Beyer 1963 - USA

A. intermedia Borgmeier & Prado 1975 - Brazil

A. medleri Disney 1981f - Nigeria, Senegal

Bactropalpus Borgmeier = *Trophodelnus* Borgmeier, Brown 1986

Beckerina aequatoriana Borgmeier & Prado 1975 - Ecuador

Borgmeieria Prado 1976 = *Neodohrniphora* Malloch, Brown 1988

Borgmeieriphora kempfi Prado 1976 - Brazil

Borophaga insignis Borgmeier & Prado 1975 - Brazil

B. okellyi Schmitz = *B. subsultans* (Linne), Disney 1982j

Brachycosta tarsalis Prado 1976 - Brazil

Brachyphlebina inops Borgmeier & Prado 1975 - Brazil

Ceratoconus alvarengai Prado 1976 - Brazil

Chaetopleurophora gastracanthoidis Hong 1981 - Fushun amber

C. longispina Hong 1981 - Fushun amber

C. sinica Hong 1981 - Fushun amber

Cheiloxenia obesa Delachambre 1966 - Ivory Coast

Chonocephalus anomalus Borgmeier & Prado 1975 - Ecuador

C. assimilis Borgmeier & Prado 1975 - Brazil

C. blackithorum Disney 1986b - Sulawesi

C. jamaicensis Brues = *C. heymonsi* Stobbe, Disney 1981j

C. punctifasciata Borgmeier = *C. jamaicensis* Brues, Prado 1976

C. vadoni Paulian = *C. jamaicensis* Brues, Prado 1976

C. wirthorum Disney 1980d - Panama

Citrango Schmitz = *Triphleba* Rondani, Disney 1982a

Citrango (now *Triphleba*) *inopinata* Delage and Lauraire 1970 - France

Colyeria diplocantha Borgmeier & Prado 1975 - Brazil

Conicera fallens Schmitz = *C. tibialis* Schmitz, Disney 1981i

C. miniscula Schmitz = *C. floricola* Schmitz, Disney 1980h

C. pauxilla Schmitz = *C. similis* (Haliday), Disney 1980g

Coniceromyia angularis Borgmeier & Prado 1975 - Ecuador

C. blomae Peterson and Arntfield 1971 - Mexico

C. laticosta Prado 1976 - Brazil

C. stephansonii Peterson 1982 - Panama

Coridophora Schmitz now includes *Edaphomyia* Borgmeier, Disney 1982h

Couturiera kensmithi Disney 1979b - Senegal

C. lewisi Disney 1979b - Senegal

C. orientalis Disney & Peterson 1983 - Malaysia

C. palawanensis Disney 1989f - Palawan (Philippines)

Crasilla longiseta Disney (in Disney and Kistner 1989b) - West Malaysia

C. setifera Disney (in Disney and Kistner 1989b) - Malaysia

Crinophleba angustifrons Gotô 1983 - Japan

Cyphometopis scutellaris Borgmeier & Prado 1975 - Brazil

Cyrtophorina deinocerca Borgmeier & Prado 1975 - Brazil

Dacnophora pectinatus Brown 1988 - USA

Dahliphora antennalis Borgmeier & Prado - Ecuador

Dicranopteron Schmitz transferred from Metopininae to Phorinae, Disney 1990a

D. brevifurca Disney 1990a - Malaysia

D. olgosea Disney 1990a - Sumatra

D. setipennis Disney 1990a - Malaysia, Sumatra

Diplonevra abdominalis (Fallen) = *D. florea* (Fabricius) Disney 1982b

D. maxima Durrenfeldt 1968 - Pliocene Europe

D. mortimeri Disney 1986a - Sulawesi

D. versicolor (Schmitz) = *D. florea* (Fabricius), Disney 1981a

D. watsoni Disney 1986a - Sulawesi

Dohrniphora adriani Disney 1983a - Panama

D. alvarengai Prado 1976 - Brazil

D. angularis Borgmeier & Prado 1975 - Brazil

D. anteroretalis Borgmeier & Prado 1975 - Costa Rica, Panama, Trinidad

D. bispinosa Borgmeier & Prado 1975 - Brazil

D. broadheadi Disney 1983a - Panama

D. calvaria Borgmeier & Prado 1975 - Brazil

D. filaris Borgmeier & Prado - Brazil

D. gravis Borgmeier & Prado 1975 - Brazil

D. hostilis Borgmeier & Prado 1975 - Brazil

D. inutilis Borgmeier & Prado 1975 - Brazil

D. irregularis Borgmeier & Prado 1975 - Brazil

D. lamella Borgmeier & Prado 1975 - Brazil

D. metatarsalis Borgmeier & Prado 1975 - Brazil

D. mississippiensis Khalaf 1971 - USA

D. nigra Borgmeier & Prado 1975 - Brazil

D. pallidens Borgmeier & Prado 1975 - Costa Rica

D. perdita Borgmeier & Prado 1975 - Brazil
D. polnari Disney 1987g - Dominican amber
D. praedator Borgmeier & Prado 1975 - Brazil
D. rachelae Disney 1983a - Panama
D. sensibilis Borgmeier & Prado 1975 - Brazil
D. simplex Borgmeier & Prado 1975 - Trinidad
D. sinopi Prado 1976 - Brazil
D. subsulcata Borgmeier & Prado 1975 - Brazil
D. trudiae Disney 1983a - Panama
D. ventralls Borgmeier & Prado 1975 - Brazil
D. vexans Borgmeier & Prado 1975 - Costa Rica

Dorsochaeta setulipennis Borgmeier & Prado 1975 - Brazil

Dundophora acutivertex Borgmeier = *Mesopathusa hirta* Schmitz, Disney and Kistner 1989c

Ectophora breviptera Disney (in Disney and Kistner 1989d) - Guatemala
E. fidelis Borgmeier = *E. collegiana* Borgmeier, Disney and Kistner 1989d

Edaphomyia Borgmeier = *Coridophora* Schmitz, Disney 1982h

Endonepenthia Schmitz = *Megasella* Rondani, Disney 1981e

Eophora Handschin 1944 (fossil puparium, no species included, invalid name)

Franssenia malaysiae Disney (in Disney and Kistner 1989b) - Malaysia
F. rocheorum Disney (in Disney and Kistner 1988) - Sulawesi
F. termyca Disney (in Disney and Kistner 1989b) - Thailand

Gymnophora adumbrata Borgmeier = *G. aemula* Borgmeier, Brown 1987b

G. alces Brown 1987b - Chile
G. auricula Brown 1987b - Chile
G. carina Brown 1987a - USA
G. damula Brown 1987b - Chile
G. enigmata Brown 1989 - Nepal
G. falciformis Brown 1987b - Chile
G. forcipis Brown 1987b - Chile
G. gotoi Brown 1989 - Japan
G. healeyae Disney 1980e - Britain
G. inusitata Brown 1987b - Chile
G. lacertosa Brown 1987b - Ecuador
G. latibrachia Brown 1987b - Chile
G. longissima Brown 1989 - Japan
G. marshalli Brown 1987a - Canada, USA
G. multipinnaculata Brown 1987a - Japan
G. nepalensis Brown 1989 - Nepal
G. parachilensis Brown 1987b - Chile
G. pararcuata Brown 1989 - Japan
G. penai Brown 1987b - Chile, Ecuador
G. platypalpis Brown 1989 - Nepal
G. priora Brown 1989 - Japan
G. prolata Brown 1989 - Japan
G. quadrata Brown 1987b - Chile
G. quadriseta Brown 1989 - Nepal
G. setulata Brown 1989 - Nepal
G. strigula Brown 1987b - Chile
G. subuncata Brown 1987b - Chile
G. talea Brown 1987a - USA
G. triangularis Brown 1987b - Chile
G. trispina Brown 1987b - Chile
G. uncatata Brown 1987b - Chile
G. unidentata Brown 1987b - Chile

Haplophleba distans Borgmeier transferred to *Woodiphora*, Disney 1989d
H. parisecta Borgmeier transferred to *Woodiphora*, Disney 1989d

Hypogeophora macrothrix Gotô 1986b - Japan

Iridophora clarki Disney 1986a - Sulawesi

Kerophora brunnea Brown - Canada
K. ferruginea Brown - Canada
K. sicula Brown 1988 - USA

Lecanocerus Borgmeier transferred to tribe Metopinini, Peterson 1987

Lepidophoromyia labida Disney (in Disney and Kistner 1989d) - Guatemala

Longirostrum Disney = *Rhynchomicropterum* Annandale, Disney 1981h

L. (now *Rhynchomicropterum*) *beaveri* Disney 1979c - Malaysia

Megasella Rondani now includes *Endonepenthia* Schmitz, Disney 1981e, *Plastophora* Brues, Disney 1986a

M. abernethae Disney 1988g - Britain

M. alsea Robinson 1983 - USA

M. amberae Disney 1987g - Dominican amber

M. angusta (Wood) = *M. pulicaria* (Fallén), Disney 1980a

M. angustilata Schmitz = *M. oxybelorum* Schmitz, Disney 1988f

M. angustifrons (Wood) = *M. minor* (Zetterstedt), Disney 1984b

M. angustina Schmitz = *M. pulicaria* (Fallén), Disney 1989a

M. aranelvora Gotô 1985a - Japan

M. argiopephaga Disney 1982g - Sri Lanka

M. aristolochiae Prado, in Hime and Costa 1985 - Brazil

M. aspera Schmitz = *M. oxybelorum* Schmitz, Disney 1988f

M. audreyae Disney 1978a - Cameroon

M. balearica (Colyer, 1969) - Majorca

M. bernsteiniae Disney 1987g - Dominican amber

M. biarticulata Disney 1988h - Sulawesi

M. bifida Disney 1983b - Britain

M. bifurcata Disney 1983b - Britain

M. bowlesi Disney 1981g - Sri Lanka

M. bruesi Disney 1986a (nom.nov. for *Plastophora dubitata* Brues)

M. buxtoni Colyer = *M. frameata* Schmitz, Disney 1985d

M. carola Robinson 1981 - USA

M. chalnensis Disney 1985a (nom.nov. for *Plastophora*

subconvexa Borgmeier)

M. chorogi Naumov 1979 - USSR

M. clementsii Disney 1978c - Britain

M. clementsii Disney = *M. pulicaria* (Fallén), Disney 1989a

M. clemensi Disney 1984a - Britain

M. confulgens Borgmeier = *M. aequalis* (Wood), Robinson 1981

M. corkerae Disney 1981e - Hong Kong

M. correlata (Schmitz) reinstated, Disney 1986e (former syn. of

M. giraudii (Egger))

M. coulsoni Disney 1987e - Britain

M. dakotensis Borgmeier = *M. halterata* (Wood), Robinson 1975

M. damasi Disney 1985a (nom.nov. for *Plastophora socia* Beyer)

M. decora Robinson 1978 - Canada

M. deningi Disney 1982d - Sri Lanka

M. dipsacosa Smith 1977 - Britain

M. divergens (Malloch) reinstated (former synonym of *M.*

fenestralls (Schmitz), Disney 1987i

M. dominicana Disney 1987g - Dominican amber

M. drakel Disney 1984a - Britain

M. durskiae Disney 1989e - France, Poland

M. dyari (Malloch) = *M. giraudii* (Egger), Disney 1986e

M. emimens Schmitz = *M. sordida* (Zetterstedt), Disney 1985b

M. epygus Schmitz = *M. pulicaria* (Fallén), Disney 1989a

M. falklandensis Disney 1989g - Falkland Islands

M. feshlensis Disney 1987d - Britain

M. fischeri Schmitz = *M. sepulchralls* (Lundbeck), Disney 1985b

M. furukawae Disney 1989h - Japan

M. gartensis Disney 1985f - Britain

M. gemina Schmitz = *M. splinata* (Wood), Disney 1988c

M. gotoi Disney 1989h - Japan

M. gratiosa Schmitz = *M. nasoni* (Malloch), Disney 1988c

M. griseifrons (Lundbeck) = *M. cinerifrons* (Strobl), Disney

1985b
M. haranti Delage and Lauraire 1970 - France
M. hartfordensis Disney 1983d - Britain
M. hayleyensis Disney 1987c - Britain
M. hectochaeta Schmitz 1974 (in Schmitz and Beyer 1974) - Finland
M. hendersoni Disney 1979g - Britain
M. hepworthae Disney 1981g - Sri Lanka
M. hibernica (Schmitz) = *M. dahl* (Becker), Disney 1988e
M. horsfieldi Disney 1986f - Scotland
M. humilis (Wood) = *M. dahl* (Becker), Disney 1988e
M. hybrida Schmitz = *M. dimidia* Schmitz, Disney 1989a
M. imberbis Schmitz = *M. frameata* Schmitz, Disney 1985d
M. impolluta Schmitz = *M. sylvatica* (Wood), Disney 1984a
M. invernassae Disney 1988g - Britain
M. irwini Disney 1979f - Britain
M. irwini Disney = *M. insons* (Lundbeck), Disney 1988c
M. ismayi Disney 1978b - Britain
M. ismayi Disney = *M. hirticus* (Schmitz), Disney 1988c
M. kanekoi Disney 1989h - Japan
M. kanol Disney 1989h - Japan
M. killarneyensis Disney 1988c - Ireland
M. kodongi Disney 1986a - Sulawesi
M. krizelji Delage and Lauraire 1970 - France
M. kurahashii Disney 1985c - Japan
M. laffooni Robinson 1978 - USA
M. lanata Robinson 1981 - Canada, USA
M. laticrus Schmitz = *M. beckeri* (Wood), Disney 1985b
M. limburgensis Schmitz = *M. fungivora* (Wood), Robinson 1981; reinstated by Disney 1987h
M. longifurca (Lundbeck) = *M. pulicaria* (Fallén), Disney 1989a
M. luisieri Schmitz = *M. hirticus* (Schmitz), Disney 1988c
M. luminosa Schmitz = *M. minuta* (Aldrich), Disney 1984b
M. malhamensis Disney 1986e - Britain
M. malvinasensis Disney 1989g - Falkland Islands
M. manicatella (Lundbeck) = *M. subcarpallis* (Lundbeck), Disney 1988e
M. mcleani Disney 1987d - Britain
M. megaglossa Disney 1982f - Brazil
M. morani Disney 1982i - South Africa
M. morenifrons Borgmeier = *M. fungivora* (Wood), Robinson 1981
M. multipalpulata Hong 1981 - Fushun amber
M. murakamii Disney 1989h - Japan
M. nasoni (Malloch) = *M. aequalis* (Wood), Robinson 1981, reinstated by Disney 1987h
M. nigrans Schmitz = *M. plurispinulosa* (Zetterstedt), Disney 1986e
M. nudiventris (Wood) = *M. discreta* (Wood), Disney 1985b
M. okazaki Disney 1989h - Japan
M. oligoseta Disney 1987c - Britain
M. oweni Disney 1988c - Britain
M. pagei Disney 1987b - Sulawesi
M. pallidiventris Malloch = *M. plebia* (Malloch), Robinson 1978
M. pammirica Naumov 1979 - USSR
M. parnassia Disney 1986e - Britain
M. parvula Schmitz = *M. brevissima* (Schmitz), Disney 1988f
M. peyresquensis Delage 1974 (in Schmitz and Delage 1974) - France
M. plaumanni Disney 1985a (nom. nov. for *Plastophora* *divergens* Borgmeier) - Brazil
M. plaumanni Disney renamed *M. teutonlae* Disney, Disney 1989g
M. pseudobrevior Disney 1988f - Canary Islands
M. pseudopticta (Lundbeck) = *M. pseudogiraudii* (Schmitz), Disney 1986e
M. pygmaeoides (Lundbeck) = *M. berndseni* Schmitz, Disney 1985d
M. reynoldsi Disney 1981g - Sri Lanka
M. robinsoni Disney 1981g - Sri Lanka
M. rotunda Robinson 1981 - USA
M. sandhui Disney 1981c - India
M. scutellariformis Schmitz = *M. scutellaris* (Wood), Disney 1985b

M. sembell Disney 1986a - Sulawesi
M. senegalensis Disney 1980b - Senegal
M. setulifera Smith 1977 - Britain
M. setulifera Smith = *M. pulicaria* (Fallén), Disney 1980a; reinstated Disney 1983b; re-synonymized Disney 1989a
M. sheppardi Disney 1988g - Britain
M. sinuata Schmitz = *M. pulicaria* (Fallén), Disney 1980a
M. smirnovi Naumov 1979 - USSR
M. southwoodi Disney 1982i - South Africa
M. spinolabella Disney 1989a - Britain
M. stenoterga Disney 1988f - Canary Islands
M. subnitida (Lundbeck) = *M. lucifrons* (Schmitz), Disney 1988c
M. termitomyca Disney 1989b - Nigeria
M. teutonlae Disney 1989g (nom. nov. for *M. plaumanni* Disney, *nec* Borgmeier) - Brazil
M. tonylrwini Disney 1988c - Britain
M. unguata Robinson 1981 - Canada, USA
M. unvini Disney 1987c - Britain
M. wirthi Borgmeier = *M. plebia* (Malloch), Robinson 1978
M. xanthogastra Schmitz = *M. sulphuripes* (Meigen), Disney 1985d
M. zariaensis Disney 1989b - Nigeria

Megasellini, new tribe including *Apocephalus* Coquillett, *Apodicrania* Borgmeier, *Diocophora* Borgmeier, *Gymnophora* Macquart, *Megasella* Rondani, *Pericyclopera* Schmitz, *Phalacrotophora* Enderlein, *Pseudohypocera* Malloch, *Rhynchophoromyia* Malloch, *Woodiphora* Schmitz, Disney 1989d

Mesopathusa cloveri Disney (in Disney and Kistner 1989c) - South Africa
M. modesta Disney (in Disney and Kistner 1989c) - Zimbabwe

Metopina Macquart now includes *Typhlophorina* Silvestri, Disney 1988d
M. aequatoriana Borgmeier & Prado 1975 - Ecuador
M. ciceri Disney 1988d - India
M. divergens Borgmeier & Prado 1975 - Brazil
M. goeleti Grimaldi 1989 - New Jersey amber
M. nevadae Schmitz = *M. oligoneura* (Mik), Disney 1979e
M. rhenana Beyer and Schmitz = *M. perpusilla* (Six), Disney 1979e
M. tarsalis Borgmeier & Prado 1975 - Brazil
M. ulrichi Disney 1979e - Britain

Microsella aduncus (Borgmeier), Disney 1982e (new comb.)
M. beaveri Disney 1983a - Zambia
M. deemingi Disney 1983a - Nigeria
M. southwoodi Disney 1988b - France
M. texana Disney 1982e - USA

Multinevra macropygidia Disney 1979 - Senegal

Myoplomyia harmani Disney 1987b - Sulawesi

Myrmoscarius simplex Borgmeier & Prado 1975 - Brazil

Neodohrniphora acromyrmecis Borgmeier reinstated (former synonym of *N. calverti* Malloch), Prado 1976
N. cognata Prado 1976 - Brazil
N. declinata Borgmeier reinstated (former synonym of *N. curvinervis* (Malloch)), Prado 1976
N. frontalis (Curran) reinstated (former synonym of *N. curvinervis* (Malloch)), Prado 1976
N. montana Borgmeier = *N. acromyrmecis* Borgmeier, Prado 1976
N. robusta Borgmeier = *N. acromyrmecis* Borgmeier, Prado 1976
N. similis Prado 1976 - Brazil
N. wasmanni Borgmeier = *N. acromyrmecis* Borgmeier, Prado 1976

Neopuliciphora Schmitz and Mjöberg = *Puliciphora* Dahl, Disney 1988a

- Obscuriphora sheppardi* Disney 1986b - Britain
- Pachyneurella diversa* Borgmeier & Prado 1975 - Brazil
P. simplex Borgmeier & Prado 1975 - Ecuador
- Palpiclavina tonkinensis* Silvestri transferred from *Metopininae* to *Thaumatoxeninae*, Disney and Kistner 1989b
- Perissa couturierii* Disney 1981b - Senegal
P. georgel Disney 1989f - Palawan (Philippines)
- Phalacrotophora delageae* Disney 1979d - France
- Phora advena* Michailovskaya 1986 - USSR
P. amplifrons Gotô 1985d - Japan
P. aterrima (Fabricius) should be *P. atra* (Meigen), Smith 1980
P. contractifrons Gotô 1985c - Japan
P. crinitimargo Gotô 1985c - Japan
P. greenwoodi Disney 1989c - France
P. hybosa Hong 1981 - Fushun amber
P. incisurata Gotô 1985e - Japan
P. kitadakensis Gotô 1985c - Japan
P. lacunifera Gotô 1984b - Japan
P. maritima Michailovskaya 1986 - USSR
P. nartshukae Zaitzev 1977 - USSR
P. nipponica Gotô 1986a - Japan
P. parvisaltator Gotô 1985d - Japan
P. prisca Gotô 1985c - Japan
P. salgusai Gotô 1986a - Japan
P. speighti Disney 1982c - Ireland
- Plastophora* Brues = *Megasella* (except *P. beirne*, *dubitata*, *conigera*), Disney 1978a
Plastophora Brues = *Megasella* (rest of genus), Disney 1986a
Plastophora (now *Megasella*) *balearica* Colyer 1969 - Majorca
- Platydipteron plaumanni* Borgmeier & Prado 1975 - Brazil
- Postoptica platypezoidea* Disney 1987a - Sulawesi
- Pradea oculata* Prado 1976 - Brazil
- Prioriphora canadambra* McAlpine and Martin transferred to *Phoridae* (formerly *Sciadoceridae*), Hennig 1973, accepted by Brown 1987a, not accepted by Disney 1985g
- Pseudacteon aduncus* Borgmeier transferred to *Microsella* Schmitz, Disney 1982e
P. bispinosus Borgmeier & Prado 1975 - Honduras
P. californiensis Disney 1982e - USA
P. lenkoi Borgmeier & Prado 1975 - Brazil
P. longicauda Borgmeier & Prado 1975 - Honduras
P. tricuspis Borgmeier reinstated (former synonym of *P. littoralis* Borgmeier), Borgmeier and Prado 1975
- Pulliciphora* Dahl now includes *Neopulliciphora* Schmitz and Mjöberg, Disney 1988a
P. beaveri Disney 1988a - Malaya
P. boltoni Disney 1988a - Sulawesi
P. collinsi Disney 1988a - Sulawesi
P. coptotermittum Disney (in Disney and Kistner 1989b) - Malaysia
P. exachatina Disney 1988a - Malaya
P. jacobsonorum Disney (in Disney and Kistner 1989a) - Guyana
P. knighti Disney 1988a - Sulawesi
P. malaysiae Disney 1988a - Malaya
P. opuntiae Paulian = *P. borinquenensis* Wheeler, Disney 1988a
P. penangensis Disney 1988a - Malaya
P. rosel Disney 1988a - Sulawesi
P. stuckenbergi Disney 1988a - South Africa
P. tambopata Disney (in Disney and Kistner 1989a) - Peru
- Rhodomomyia kistnerorum* Disney (in Disney and Kistner 1989b) - Malaysia
- Rhopica hirashimal* Gotô 1985 - Papua New Guinea
- Rhoptrocera eocenica* Hong 1981 - Fushun amber
- Rhynchomicopteron* Annandale now includes *Longirostrum* Disney, Disney 1981h
R. beaveri (Disney, 1979c) - Malaysia
R. brevipes Papp 1982 - India
R. dudichi Papp 1982 - India
R. muluensis Disney 1981h - Sarawak
R. nudiventer Papp 1982 - India
R. vallacki Disney 1981h - Sarawak
- Rhynchophoromyia diversa* Prado 1976 - Brazil
- Sciadophora bostoni* McAlpine and Martin transferred to *Phoridae* (formerly *Sciadoceridae*), Hennig 1973, accepted by Brown 1987a, not accepted by Disney 1985g
- Spiniphora lyneborgi* Colyer 1969 - Spain
Spiniphora helicivora (Dufour) = *S. maculata* (Meigen), Disney 1979h
- Stichillus limai* Borgmeier & Prado 1975 - Brazil
- Styletta camponoti* Brown 1988 - USA, Canada
- Stylusa incisipennis* Borgmeier & Prado 1975 - Brazil
- Synclinusa recurvata* Borgmeier & Prado 1975 - Brazil
- Syneura semifurcata* Prado 1976 - Ecuador
- Termitoscrofa brevis* Delachambre 1966 - Ivory Coast
- Trichocerina abarista* Borgmeier & Prado 1975 - Brazil
- Triphleba brevicilia* Michailovskaya 1986 - USSR
T. brumalis Schmitz = *T. hyallnata* (Meigen), Disney 1987f
T. chandleri Disney 1987f - Spain
T. lagrecal Venturi 1967 - Sicily
T. lagrecal Venturi = *T. antricola* (Schmitz), Disney 1987f
T. inopinata (Delage and Lauraire, 1970) - France
T. schistoceros Gotô & Takeno 1983b - Japan
T. smithi Disney 1982a (nom.nov. for *Citrigo collini*)
- Trophithauma fulvum* Gotô 1984a - Japan
T. pellucidum Gotô 1984a - Japan
- Trophodeinus* Borgmeier includes *Bactropalpus* Borgmeier, Brown 1986
Trophodeinus furcatus (Borgmeier) = *T. barberi* Borgmeier, Brown 1986
- Tubiceroides dimidiatus* Borgmeier & Prado 1975 - Brazil
- Typhlophorina* Silvestri = *Metopina* Macquart, Disney 1988d
- Woodiphora afrotropica* Disney 1985e - Ivory Coast
W. afurca Disney 1989d - Papua New Guinea
W. andersoni Disney 1989d - Papua New Guinea
W. arunkumari Disney 1989d - Sulawesi
W. beaveri Disney 1985e - Cameroon, Ivory Coast
W. distans (Borgmeier), transferred from *Haplophleba*, Disney 1989d
W. dormanae Disney 1989d - Sulawesi
W. fljensis Disney 1989d - Fiji
W. gouteuxi Disney 1985e - Cameroon, Ivory Coast
W. grootaerti Disney 1989d - Papua New Guinea
W. harveyi Disney 1989d - Philippines
W. howseae Disney 1989d - Australia
W. jacksonae Disney 1985e - Cameroon, Ivory Coast

- W. krakatoensis* Disney 1989d - Krakatau (Indonesia)
W. limbata (Collin) = *W. parvula* Schmitz, Disney 1985e
W. longipalpis Disney 1989d - Palawan (Philippines)
W. malae Disney 1989d - Sulawesi
W. malaysiae Disney 1989d - Malaysia
W. multilineva Disney 1989d - Australia
W. palawanensis Disney 1989d - Palawan (Philippines)
W. papuana Disney 1989d - Papua New Guinea
W. parisetta (Borgmeier), transferred from *Haplophleba*, Disney 1989d
W. rickardi Disney 1989d - Sulawesi
W. rogutensis Disney 1989d - Papua New Guinea
W. solomonis Borgmeier = *W. salomonis* Beyer, Disney 1989d
W. santoshi Disney 1989d - Sulawesi
W. spinifemora Disney 1989d - Palawan (Philippines)
W. trigona Disney 1989d - Papua New Guinea
W. unilineata Borgmeier = *W. biroi* (Brues), Disney 1989d

Zyzyphora hirtifrons Peterson and Robinson 1976 - USA

References

- Beyer, E.M. 1963. Die ersten *Auxanomatidia* aus Nordamerika. *Entomologische Zeitschrift*. 73:141-143.
- Borgmeier, T. 1968. A catalogue of the Phoridae of the World. *Studia Entomologica*. 11:1-367.
- Borgmeier, T. 1971. Supplement to A catalogue of the Phoridae of the World. *Studia Entomologica*. 14:177-224.
- Borgmeier, T. and A.P. do Prado 1975. New or little known phorid flies with description of eight new genera. *Studia Entomologica*. 18:3-90.
- Brown, B.V. 1986. Striking sexual dimorphism and its taxonomic consequences among New World phorid flies (Diptera). *Proceedings of the Entomological Society of Washington*. 88:787-788.
- Brown, B.V. 1987a. Revision of the *Gymnophora* (Diptera:Phoridae) of the Holarctic region: classification, reconstructed phylogeny and geographic history. *Systematic Entomology*. 12:271-304.
- Brown, B.V. 1987b. Classification, reconstructed phylogeny and geographic history of the Neotropical phorid flies of the genus *Gymnophora* (Diptera:Phoridae). *Journal of Natural History*. 21:1477-1524.
- Brown, B.V. 1988. Additions to the phorid chapter in the "Manual of Nearctic Diptera, Volume 2". *Canadian Entomologist*. 120:307-322.
- Brown, B.V. 1989. Testing phylogenetic hypotheses: new species of *Gymnophora* Macquart (Diptera: Phoridae) from Japan and Nepal, with an updated world classification. *Canadian Journal of Zoology*. 67:2543-2556.
- Colyer, C.N. 1969. Some Phoridae (Diptera) from southern Spain and Majorca, with descriptions of two new species. *Entomologische Meddelelser*. 37:9-26.
- Delachambre, J. 1966. Recherches sur les *Termitoxeniidae* (Diptera). II. Description de deux nouvelles espèces africaines. *Insectes Sociaux*. 8:105-116.
- Delage, A. and M.C. Lauraire. 1970. Trois nouvelles espèces de Phoridae (Diptères, Brachycères, Cyclorhaphes), trouvées à Peyresq (Alpes de Provence). *Bulletin des recherches agronomiques de Gembloux*. 5: 450-458.
- Disney, R.H.L. 1978a. A new species of afrotropical *Megaselia* (Diptera:Phoridae), with a re-evaluation of the genus *Plastophora*. *Zeitschrift für Angewandte Zoologie*. 65:313-319.
- Disney, R.H.L. 1978b. A new species of *Megaselia* Rondani (Diptera:Phoridae) from Norfolk. *Entomologist's Record and Journal of Variation*. 90:170-172.
- Disney, R.H.L. 1978c. A new species of scuttle fly (Diptera: Phoridae) from Gloucestershire. *Entomologist's Gazette*. 29: 153-155.
- Disney, R.H.L. 1979a. *Multineva macropygidia* n.gen., n.sp., a curious afrotropical scuttle fly (Diptera:Phoridae). *Entomologica scandinavica*. 10:79-80.
- Disney, R.H.L. 1979b. *Cosurieta kenamithi* n.gen., n.sp., and *C. lewisi* n.sp. of the afrotropical Alamininae. *Entomologica scandinavica*. 10:142-146.
- Disney, R.H.L. 1979c. *Longirostrum beaveri* n.gen., n.sp. from Malaysia, related to the afrotropical *Psyllomyia* (Loew) (Diptera:Phoridae). *Entomologica scandinavica*. 10:158-160.
- Disney, R.H.L. 1979d. A new species of *Phalacrotophora* (Diptera:Phoridae) from France. *Annales de Parasitologie*. 54:533-536.
- Disney, R.H.L. 1979e. The British *Metopina* (Diptera:Phoridae) with description of a new species. *Zoological Journal of the Linnean Society*. 67:97-113.
- Disney, R.H.L. 1979f. A new species of *Megaselia* Rondani (Diptera:Phoridae) from Perthshire. *Entomologist's Gazette*. 30:44-46.
- Disney, R.H.L. 1979g. A new species of *Megaselia* Rondani (Diptera:Phoridae) from Northamptonshire. *Entomologist's Record and Journal of Variation*. 91:317-318.
- Disney, R.H.L. 1979h. *Spiniphora heliocivora* (Dufour) is a synonym of *S. maculata* (Meigen) (Dipt., Phoridae). *Entomologist's Monthly Magazine*. 113(1977):201-202.
- Disney, R.H.L. 1980a. Variation in *Megaselia pulicaria*, with the recognition of new synonyms. *Entomologist's Monthly Magazine*. 115 (1979):97-103.
- Disney, R.H.L. 1980b. A remarkable scuttlefly, *Megaselia senegalensis* n.sp. (Diptera:Phoridae). *Entomologica scandinavica*. 11:94-96.
- Disney, R.H.L. 1980c. A new species of *Apocephalus* (Diptera:Phoridae) that parasitizes *Atta texana* (Hymenoptera:Formicidae) in Texas. *Zeitschrift für Angewandte Zoologie*. 67:47-50.
- Disney, R.H.L. 1980d. A new species of *Chonocephalus* (Diptera: Phoridae) from Panama. *Entomologica scandinavica*. 11:363-365.
- Disney, R.H.L. 1980e. A new species of *Gymnophora* Macquart (Diptera:Phoridae) from Yorkshire and Durham. *Naturalist*, Hall. 105:125-131.
- Disney, R.H.L. 1980g. *Conicera paszilla* Schmitz is a synonym of *Conicera similis* (Haliday) (Diptera:Phoridae). *Entomologist's Gazette*. 31:2.
- Disney, R.H.L. 1980h. What is *Conicera miniscula* Schmitz (Diptera:Phoridae)? *Entomologist's Gazette*. 31:202.
- Disney, R.H.L. 1981a. What is *Diploneva versicolor* Schmitz? *Entomologist's Monthly Magazine*. 117:157-158.
- Disney, R.H.L. 1981b. A new species of *Perissa* Borgmeier (Diptera:Phoridae). *Entomologist's Monthly Magazine*. 116(1980):101-104.
- Disney, R.H.L. 1981c. *Megaselia sandhu* sp.n. (Diptera:Phoridae), a pest of cultivated mushrooms in India. *Bulletin of Entomological Research*. 71:509-512.
- Disney, R.H.L. 1981d. *Apocephalus laceyi* n.sp. (Diptera:Phoridae) attacking *Camponotus femoratum* (F.) (Hymenoptera:Formicidae) in Brazil. *Entomologica scandinavica*. 12:31-34.
- Disney, R.H.L. 1981e. A new species of *Megaselia* from *Nepenthes* in Hong Kong, with re-evaluation of genus *Endonepenthia*. *Oriental Insecta*. 15(2):201-206.
- Disney, R.H.L. 1981f. A new, and first afrotropical, species of *Auxanomatidia*. *Zeitschrift für Angewandte Zoologie*. 67 (1980):323-330.
- Disney, R.H.L. 1981g. Four new species of *Megaselia* from Sri Lanka. *Zeitschrift für Angewandte Zoologie*. 67 (1980):389-398.
- Disney, R.H.L. 1981h. A re-examination of the scuttlefly genus *Rhynchomicropteron* (Phoridae), with two new species from Sarawak. *Systematic Entomology*. 6:55-59.
- Disney, R.H.L. 1981i. A further synonym in the genus *Conicera* Meigen with a revised list of the British species. *Entomologist's Record and Journal of Variation*. 93:126-128.
- Disney, R.H.L. 1981j. An exotic scuttlefly, *Chonocephalus heymoni* Stobbe (Diptera:Phoridae), from Middlesex. *Entomologist's Monthly Magazine*. 116(1980):207-212.
- Disney, R.H.L. 1982a. Re-evaluation of the genus *Citrigo* Schmitz (Diptera:Phoridae) and a consequent secondary homonym. *Entomologist's Monthly Magazine*. 118:247-248.
- Disney, R.H.L. 1982b. What is *Diploneva abdominalis* (Fallen) (Diptera:Phoridae). *Entomologist's Monthly Magazine*. 118:113-115.
- Disney, R.H.L. 1982c. A new species of *Phora* (Diptera:Phoridae) from Ireland. *Irish Naturalist's Journal*. 20:424-425.
- Disney, R.H.L. 1982d. A new species of *Megaselia* that breeds in pitchers of *Nepenthes* in Sri Lanka. *Ceylon Journal of Science*. 14(1&2):91-101. (1981)
- Disney, R.H.L. 1982e. Three new species of scuttle-fly (Diptera:Phoridae) that parasitize ants (Hymenoptera:Formicidae) in North America. *Journal of Zoology, London*. 197:473-481.
- Disney, R.H.L. 1982f. A curious new species of *Megaselia* from Brazil. *Zeitschrift für Angewandte Zoologie*. 68 (1981):415-418.
- Disney, R.H.L. 1982g. *Megaselia argiocephala* n.sp. (Diptera:Phoridae), an oriental scuttlefly whose larvae feed on spider eggs. *Entomologica scandinavica*. 13:321-324.
- Disney, R.H.L. 1982h. Notes on the genus *Coridophora* Schmitz (Diptera:Phoridae) with a re-evaluation of the genus *Edaphomyia* Borgmeier. *Entomologist's Monthly Magazine*. 118:9-10.
- Disney, R.H.L. 1982i. Two new species of Afrotropical *Megaselia* (Diptera: Phoridae). *Entomologist's Monthly Magazine*. 118: 189-193.
- Disney, R.H.L. 1982j. Confirmation of a suspected synonym in the genus *Borophaga* (Diptera: Phoridae). *Entomologist's Monthly Magazine*. 118:115.
- Disney, R.H.L. 1983a. Two new species of afrotropical *Microselia* (Diptera:Phoridae). *Entomologica scandinavica*. 14:407-410.
- Disney, R.H.L. 1983b. A useful new character in the giant genus *Megaselia* (Diptera:Phoridae), with two new species from Britain. *Zeitschrift für Angewandte Zoologie*. 70:225-234.
- Disney, R.H.L. 1983c. Four new species of *Dohrniphora* (Diptera:Phoridae) from Panama. *Entomologica scandinavica*. 14:452-456.

- Disney, R.H.L. 1983d. A new species of *Megaselia* (Diptera:Phoridae) from England. Entomologist's Monthly Magazine. 119:241-243.
- Disney, R.H.L. 1984a. Six species of *Megaselia* (Diptera:Phoridae) from northern England, new to Britain, and including two new to science. Naturalist. 109:11-18.
- Disney, R.H.L. 1984b. The holotype of *Megaselia minor* (Zetterstedt) (Dipt., Phoridae) and two new synonyms. Entomologist's Monthly Magazine. 120: 239-240.
- Disney, R.H.L. 1985a. Replacement names for three species of *Megaselia* (Diptera:Phoridae). Entomologist's Monthly Magazine. 121:97
- Disney, R.H.L. 1985b. Additions and amendments to the list of British *Megaselia* (Dipt., Phoridae). Entomologist's Monthly Magazine. 121:243-248.
- Disney, R.H.L. 1985c. The Japanese species of *Megaselia* (Diptera:Phoridae) responsible for urogenital myiasis is a new species. Entomologist's Monthly Magazine. 121:261-262.
- Disney, R.H.L. 1985d. Records of scuttle flies (Diptera: Phoridae) from Platford Mill, including two species new to science. Transactions of the Suffolk Naturalist's Society. 21:13-17.
- Disney, R.H.L. 1985e. Afrotropical *Woodiphora* with description of four new species. Polskie Pismo Entomologiczne. 55:271-281.
- Disney, R.H.L. 1985f. A new species of *Megaselia* Rondani (Diptera: Phoridae) from northern Britain. Entomologist's Record and Journal of Variation. 97: 200-202.
- Disney, R.H.L. 1985g. Re-interpretation of the wing veins in the Phoridae (Diptera). Entomologist's Monthly Magazine. 121:55-58.
- Disney, R.H.L. 1986a. A new genus and three new species of Phoridae (Diptera) parasitizing ants (Hymenoptera) in Sulawesi. Journal of Natural History. 20:777-787.
- Disney, R.H.L. 1986b. A new genus of scuttle-fly (Diptera:Phoridae) from England. Zoological Journal of the Linnean Society. 87:85-89.
- Disney, R.H.L. 1986c. Two remarkable new species of scuttle-fly (Diptera:Phoridae) that parasitize termites (Isoptera) in Sulawesi. Systematic Entomology. 11:413-422.
- Disney, R.H.L. 1986d. Morphological and other observations on *Chonocephalus* (Phoridae) and phylogenetic implications for the Cyclorhapha (Diptera). Journal of Zoology, London. 210:77-87.
- Disney, R.H.L. 1986e. Two new species of scuttle fly (Diptera, Phoridae) from Malham Tarn, North Yorkshire. Naturalist, Hull. 111:113-121.
- Disney R.H.L. 1986f. A new species of scuttle fly (Diptera:Phoridae) from Scotland. Glasgow Naturalist. 21:143-145.
- Disney, R.H.L. 1987a. A most remarkable new genus of scuttle fly (Diptera:Phoridae) from Sulawesi. Systematic Entomology. 12:29-32.
- Disney, R.H.L. 1987b. A new genus and two new species of Phoridae (Diptera) from the nests of ants (Hym., Formicidae) in Sulawesi. Entomologist's Monthly Magazine. 123:157-161.
- Disney, R.H.L. 1987c. A preliminary survey of the scuttle flies of Hayley Wood, with descriptions of three new species. Proceedings and Transactions of the British Entomology and Natural History Society. 20:27-34.
- Disney, R.H.L. 1987d. Two new species of scuttle fly (Diptera: Phoridae) from Britain. Entomologist's Gazette. 38:67-72.
- Disney, R.H.L. 1987e. A new species of scuttle fly (Diptera: Phoridae) from Cumbria. Naturalist. 112:135-137.
- Disney, R.H.L. 1987f. A new species of *Triphleba* from Spain and two new synonyms in this genus. Entomologist's Monthly Magazine. 123:191-194.
- Disney, R.H.L. 1987g. Four species of scuttle fly (Diptera: Phoridae) from Dominican amber. Pan-Pacific Entomologist. 63:377-380.
- Disney, R.H.L. 1987h. Two species of scuttle fly (Diptera: Phoridae) new to the British list. Entomological Record and Journal of Variation. 99: 243-244.
- Disney, R.H.L. 1987i. Rescue of *Megaselia fenestralis* (Diptera: Phoridae) from synonymy and its removal from the British list. Entomologist's Gazette. 38: 13.
- Disney, R.H.L. 1988a. Biology and taxonomy of Old World *Puliciphora* (Diptera: Phoridae) with descriptions of nine new species. Oriental Insects. 22:267-286.
- Disney, R.H.L. 1988b. A new species of *Microselia* (Dipt. Phoridae) from France. Annales de Parasitologie humaine et comparée. 63:85-88.
- Disney, R.H.L. 1988c. Three new species of *Megaselia* (Dipt., Phoridae) from the British Isles, plus new synonyms. Entomologist's Monthly Magazine. 124:7-14.
- Disney, R.H.L. 1988d. A remarkable new species of scuttle fly (Diptera: Phoridae) whose larvae infest chickpea root nodules in India. Journal of Natural History. 22:611-616.
- Disney, R.H.L. 1988e. New synonyms in the *Megaselia dahl* complex (Diptera:Phoridae) and two species new to the British list. Entomologist's Record and Journal of Variation. 100:169-174.
- Disney, R.H.L. 1988f. The Palaearctic species resembling *Megaselia pygmaea* (Diptera: Phoridae) including two new species. Annales Entomologici Fennici. 54:153-161.
- Disney, R.H.L. 1988g. Four species of scuttle fly (Diptera:Phoridae) from Scotland, new to Britain, including three new to science. Glasgow Naturalist. 21:433-439.
- Disney, R.H.L. 1988h. An interesting new species of *Megaselia* from Sulawesi, the groundplan of the Phoridae (Diptera) and phylogenetic implications for the Cyclorhapha. Systematic Entomology. 13: 433-441.
- Disney, R.H.L. 1989a. Scuttle flies- Diptera, Phoridae, Genus *Megaselia*. Handbooks for the Identification of British Insects. 10(8) 155pp.
- Disney, R.H.L. 1989b. Two new species of *Megaselia* (Dipt., Phoridae) reared from termite-mound fungus in Nigeria. Entomologist's Monthly Magazine. 125:45-48.
- Disney, R.H.L. 1989c. A new species of *Phora* (Dipt., Phoridae) from France. Entomologist's Monthly Magazine. 125:81-82.
- Disney, R.H.L. 1989d. A key to Australasian and Oriental *Woodiphora* (Diptera:Phoridae), affinities of the genus and description of new species. Journal of Natural History. 23:1137-1175.
- Disney, R.H.L. 1989e. A new species of *Megaselia* (Diptera, Phoridae) from France and Poland. Polskie Pismo Entomologiczne. 59:249-252.
- Disney, R.H.L. 1989f. The "missing" males of the Alamirinae/Termiteoxeniinae complex and the supposed hermaphroditism in Termiteoxeniinae (Diptera: Phoridae). Sociobiology. 16: 109-120.
- Disney, R.H.L. 1989g. Two new species of *Megaselia* (Dipt., Phoridae) from the Falkland Islands (Malvinas), and a replacement name in the genus. Entomologist's Monthly Magazine. 125: 183-186.
- Disney, R.H.L. 1989h. Six new species of *Megaselia* (Diptera, Phoridae) reared from fungi in Japan. Acta Entomologica Bohem. 86: 368-380.
- Disney, R.H.L. 1990a. Revision of the termite-parasitizing genus *Dicranopteron* (Diptera: Phoridae). Zoological Journal of the Linnean Society. 98: 111-122.
- Disney, R.H.L. and R.V.Peterson. 1983. Two new species of Alamirinae (Diptera:Phoridae). Entomologica scandinavica. 14:435-438.
- Disney, R.H.L. and D.H.Kistner. 1988. Phoridae collected from termite and ant colonies in Sulawesi (Diptera; Isoptera, Termitidae; Hymenoptera, Formicidae). Sociobiology. 14: 361-369.
- Disney, R.H.L. and D.H.Kistner. 1989a. Neotropical Phoridae from termite colonies, including two new species (Diptera; Isoptera; Termitidae). Sociobiology. 15: 79-84.
- Disney, R.H.L. and D.H.Kistner. 1989b. Six new species of Oriental Phoridae from termite nests (Diptera; Isoptera; Termitidae & Rhinotermitidae). Sociobiology. 15: 235-248.
- Disney, R.H.L. and D.H.Kistner. 1989c. Phoridae from termite colonies in Africa, including two new species (Diptera; Isoptera, Termitidae). Sociobiology. 16: 75-90.
- Disney, R.H.L. and D.H.Kistner. 1989d. Neotropical Phoridae from army ant colonies, including two new species (Diptera; Hymenoptera, Formicidae). Sociobiology. 16: 149-174.
- Durrenfeldt, A. 1968. Dipteren aus dem Oberpliozän von Willershausen. Beihefte zum Bericht der Naturhistorischen Gesellschaft zu Hannover. 6: 43-81.
- Gotô, T. 1983. A new phorid fly of the genus *Crinophleba* from Japan (Diptera:Phoridae). Kontyû, Tokyo. 51(3):376-383.
- Gotô, T. 1984a. Two new species of *Tropithauma* Schmitz from Japan (Diptera:Phoridae). Bulletin of the Kiakyushu Museum of Natural History. 5:75-84.
- Gotô, T. 1984b. Systematic study of the genus *Phora* Latreille from Japan (Diptera:Phoridae). I. Description of a new species, with discussion on the terminology of the male genitalia. Kontyû, Tokyo. 52(1):159-171.
- Gotô, T. 1985a. *Megaselia araneivora* sp.nov., an egg predator of the orb-web spider *Argiope aemura* (Walckenaer) in Japan (Diptera:Phoridae). Esakia. (23):77-84.
- Gotô, T. 1985b. A review of the oriental genus *Rhopica*, with description of a new species from Papua New Guinea (Diptera:Phoridae). Esakia. (23):85-92.
- Gotô, T. 1985c. Systematic study of the genus *Phora* Latreille from Japan (Diptera:Phoridae). II. Descriptions of four new species. Kontyû, Tokyo. 53(1):1-11.
- Gotô, T. 1985d. Systematic study of the genus *Phora* Latreille from Japan (Diptera:Phoridae). III. Kontyû, Tokyo. 53(3):547-560.
- Gotô, T. 1985e. Systematic study of the genus *Phora* Latreille from Japan (Diptera:Phoridae). IV. Kontyû, Tokyo. 53(4):658-670.
- Gotô, T. 1986a. Systematic study of the genus *Phora* Latreille from Japan (Diptera:Phoridae). V. Kontyû, Tokyo. 54(1):128-142.
- Gotô, T. 1986b. *Hypogeophora macrothrix* gen. et sp.nov., a myrmecophilous phorid fly (Diptera, Phoridae) associated with *Phaidole fervida* Fr. Smith (Hymenoptera, Formicidae) in Japan. Kontyû, Tokyo. 54(2):303-308.
- Gotô, T. and K.Takeno. 1983b. A new *Triphleba* species with bifurcate antennae from Japan (Diptera:Phoridae). Esakia. (20):149-156.
- Grimaldi, D. 1989. The genus *Matopina* (Diptera: Phoridae) from Cretaceous and Tertiary ambers. Journal of the New York Entomological Society. 97:65- 72.
- Handschin, E. 1944. Insekten aus den Phosphoriten des Quercy. Schweizerische

Palaeontologische Abhandlungen. 64:1-23.

Hennig, W. 1973. Ordnung Diptera (Zweiflügler). Handbuch der Zoologie. 4(2), 2/31 (Lfg.20): 1-337.

Hime, N.C. and E.L. Costa. 1985. Sobre *Megaselia* (*M.*) *aristolochiae* n. sp. (Diptera: Phoridae) cujas larvas de crism nas flores de *Aristolochia labiata* Willd. (Aristolochiaceae). Revista Brasileira de Biologia. 45: 621-625.

Hong, Y.-C. 1981. Eocene fossil Diptera Insecta in amber of Pashan coalfield. Geological Publishing House, Peking. 166 pp.

Khalaf, K. 1971. Phoridae (Diptera) from Louisiana and Mississippi. Florida Entomologist. 54:273-276.

Michailovskaja, M.V. 1986. New data on Phoridae (Diptera) of the Maritime Territory. Entomological Review. pp 68-74.

Michailovskaja, M.V. 1988. A new species of the genus *Abaristophora* (Diptera: Phoridae) from Is. Sakhalin. Zoologicheskii Zhurnal. 67: 470-471.

Naumov, A.N. 1979. New species of Phoridae (Diptera) from the European regions of the USSR and Soviet Central Asia. Entomological Review (translation of Entomol.Obozr.). 58(2):148-151 (1980)

Papp, L. 1982. Three new species of *Rhynchomicropteron* from India. Acta Zoologica Academiae Scientiarum Hungaricae. 28: 125-131.

Peterson, B.V. 1982. A new species of *Coniceromyia* (Diptera: Phoridae) from Panama. Memoirs of the Entomological Society of Washington. 10:136-138.

Peterson, B.V. 1987. Phoridae. in McAlpine, J.F., Peterson, B.V., Shewell, G.E., Teskey, H.J., Vockeroth, J.R., and D.M. Wood (editors). Manual of Nearctic Diptera, volume II. Research Branch Agriculture Canada, Monograph No. 28.

Peterson, B.V. and P.W. Amfield. 1971. A new species of *Coniceromyia* from Chiapas, Mexico. Studia Entomologica. 14:395-398.

Peterson, B.V. and W.H. Robinson. 1976. A new North American genus and species of the family Phoridae (Diptera). Canadian Entomologist. 108: 119-121.

Prado, A.P. 1976. Records and descriptions of phorid flies, mainly of the neotropical region. Studia Entomologica. 19:561-609.

Robinson, W.H. 1975. Taxonomic notes on North American *Megaselia* (Diptera:Phoridae). Proceedings of the Entomological Society of Washington. 77(3):382-383.

Robinson, W.H. 1978. Terminalia of some North American species of *Megaselia* (*Aphiochaeta*) and descriptions of two new species (Diptera:Phoridae). Proceedings of the Entomological Society of Washington. 80(2):216-227.

Robinson, W.H. 1981. Terminalia of North American species of Group II *Megaselia* (*Aphiochaeta*) and descriptions of four new species (Diptera:Phoridae). Proceedings of the Entomological Society of Washington. 83(3):489-504.

Robinson, W.H. [and R.W. Wiseman]. 1983. A new species of *Megaselia* in Group VII (Diptera:Phoridae). Proceedings of the Entomological Society of Washington. 85(2):282-285.

Schmitz, H. and E. Beyer. 1974. Phoridae. in E. Lindner (editor) Die Fliegen der palaearktischen Region. 4(7) 33(301): 609-638.

Schmitz, H. and A. Delage. 1974. Phoridae. in E. Lindner (editor) Die Fliegen der palaearktischen Region. 4(7) 33(301): 638-664.

Smith, K.G.V. 1977. Notes on some British Phoridae (Diptera) including two species of *Megaselia* Rondani new to science. Entomologist's Record and Journal of Variation. 89: 161-168.

Smith, K.G.V. 1980. Family Phoridae. in Crosskey, R.W. (editor) Catalogue of the Diptera of the Afrotropical Region. British Museum (Natural History), London.

Venturi, F. 1967. *Triphleba lagrecai* nuova specie di Foride cavernicolo di Sicilia. Bollettino delle Scienze dell'Accademia Gioenia di scienze naturali. 9: 200-227.

Zaitzev, V.F. 1977. Some phorid flies (Diptera, Phoridae) from Mongolia. Insects of Mongolia. 5: 694-697.

For those who have not yet sent in a synopsis of their interests for the Directory of North American Dipterists, the following form is provided. Please restrict yourselves to no more than 20 words when listing the titles of your major projects and the animals you work with.

The completed form may be sent to Dr. J.M. Cumming, Biosystematics Research Centre, Agriculture Canada, Research Branch, Ottawa, Ontario, K1A 0C6, Canada.

Should any of you like to expand on your interests and projects, feel free to send in a contribution that can be inserted into the next newsletter as a separate item.

Full name: _____

Address: _____

Telephone Number: _____

Fax Number: _____

BITNET: _____

Projects and Taxa Studied: _____

ATTENTION ALL DIPTERISTS

Call for Informal Presentations, Announcements, Status Reports etc.

Informal Conference: North American Dipterists' Society
Conference and Business Meeting
ESA National Meeting, New Orleans, LA

Organizer and Moderator: Brian Wiegmann

This year there will be a Dipterists Informal Conference and meeting of the North American Dipterists' Society at the ESA meeting in New Orleans. If you have a short informal presentation, announcement or status report on projects or collections which you would like to present, please contact me so that I can schedule you in to the evening. Please send a title if you would like to be included in the program. Talks can be a short note on current research, natural history, reports on collecting trips or techniques etc. Deadline for submission of titles is June 1. As we are between our regular meeting years, this will be a great opportunity to communicate with other Dipterists, so I encourage all to attend. Society business and plans for the second meeting/collecting trip to southern Arizona will also be discussed.

Send contributions by June 1 to:

Brian Wiegmann
Department of Entomology
University of Maryland
College Park MD 20742

Fax: 301-454-0167